

Over Bed Table Instructions

Operating the Overbed Table

NOTE: For this procedure, refer to FIGURE 3.

Adjusting Table Height

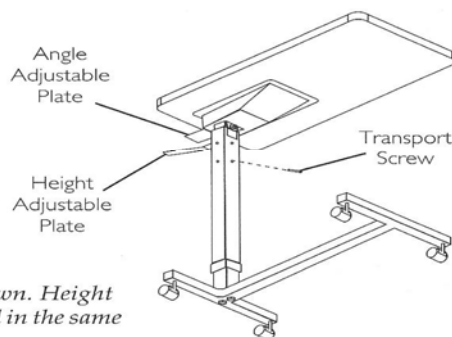
1. Remove the transport screw.
2. Squeeze the height adjustable plate upward.
3. Push or pull the table top to the desired height.

CAUTION

Before taking the table apart, adjust the table to the lowest position and replace the transport screw, so the mast is locked before being packed and shipped.

Adjusting Table Angle - Model 6418 ONLY

1. Squeeze angle adjustable plate upward.
2. Tilt the table top down to the desired angle.



NOTE: Model 6418 shown. Height adjustable plate is located in the same place on model 6417.

FIGURE 3 Operating the Overbed Table - Adjusting Table Height - Adjusting Table Angle - Model 6418 ONLY

Inspection:

1. Check for cracks on the tabletop and edges
2. Ensure all screws are tight
3. Check metal for rust
4. Examine the casters for cracks and wear
5. Ensure the casters roll smoothly

Helpful Hints:

Clean with a damp cloth and soapy water.

To transport, take the table apart by adjusting the table to the lowest position and replacing the Transport Screw so the mast is locked.

If items or parts need to be replaced or repaired, please contact MDA for assistance.